

Country of Origin : China  
 Operating Temperature : 0~40[°C]  
 Dimension : 68 × 42 × 29 [mm]  
 Efficiency level (ErP) : VI



Approvals / Marks :



**Specifications**

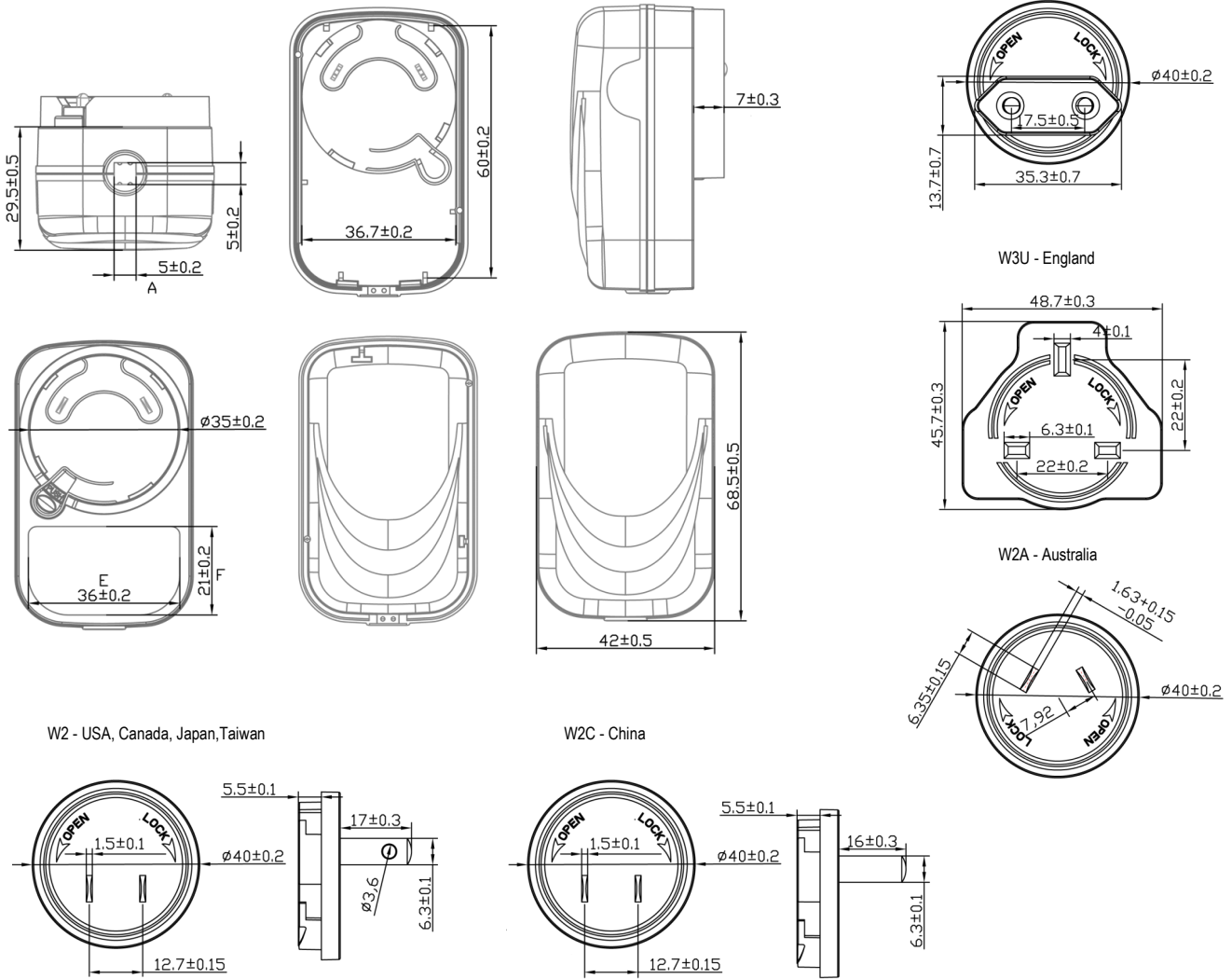
Basic Models	Voltage DC [4.0V~24V]	Loading [A]	Max. Power [W]	Ripple / Noise [mV] p-p	Connector [mm]
SYS1121-0909-Wxx	9	0~1.0	9	200	2.1x5.5x11
SYS1121-1105-Wxx	5	0~2.2	11	200	2.1x5.5x11
SYS1121-1106-Wxx	6	0~1.83	11	200	2.1x5.5x11
SYS1121-12075-Wxx	7,5	0~1.6	12	200	2.1x5.5x11
SYS1121-1209-Wxx	9	0~1.33	12	200	2.1x5.5x11
SYS1121-1212-Wxx	12	0~1.0	12	200	2.1x5.5x11
SYS1121-1215-Wxx	15	0~0.8	12	200	2.1x5.5x11
SYS1121-1218-Wxx	18	0~0.66	12	200	2.1x5.5x11
SYS1121-1224-Wxx	24	0~0.5	12	200	2.1x5.5x11

**Features:**

Certified plugs Wxx = W2E - Europe | W3U - England | W2 - USA, Canada, Japan, Taiwan | W2A - Australia | W2C - China  
 For all models, the minimum rising step of output voltage is 0.1V - 4.0V~24V 12W max | Private Label Marking Available | 2 Years Warranty

OUTPUT		CE	
Turn delay	3000ms max@AC low line input@output full load	EMC	2014/30/EU
Hold up time	8ms min@AC nominal input@output full load	LVD	2014/35/EU EN 62368-1:2014+A11:2017
Efficiency (Normal)	Meet DOE level VI	<b>SAFETY</b>	
Burn in limit	220VAC 80% Load (Ref) 4 hours & 40°C + 5°C -0°C	cUL   FCC   GS   CE   CB   RCM   SAA   PSE   EAC   UKCA   BS   BSMI   CCC	
Power consumption	0.1W max. At AC nominal input@output min load	<b>OTHERS</b>	
INPUT		Dielectric Strength (Hi-pot)	I/P-O/P:3000VAC
Voltage	(90~264)VAC	M.T.B.F	500,000 Calculated Hours at 25°C, by Telcordia SR-332
Frequency	(47~63)hz	Cable Length	1370mm (4.5 feet) standard cable or as required
Current	0.5A rms@AC low line input and DC output full load	Cooling method	Natural Convection Cooling
Inrush Surge Current (cold start)	40/60A max@power supply cold start, ambient temperature 25°C @115Vac/230Vac nominal AC input	Housing material	PC
leakage current	< 5 mA max	Temperature coefficient:	< ±0.5% / °C
PROTECTION		<b>ENVIRONMENT</b>	
Over current/ Short protection	The power supply will be auto recovered when over current or short circuit faults remove (fold back). Is defined as any output impedance of less than 0.1Ω. The power supply will be auto	Temperature	Operating: 0~40°C / Storage: -20~85°C
Over Voltage	The power supply shall be self-recovering when the fault condition is removed.	Humidity	Operating: 8%~90%RH / Storage: 5%~95% RH non condensing
Input protection	F1:1A 250V Fuse The power supply shall be protected against	<b>WEIGHT</b>	
No Load protection	The power supply is provided with no load operation to prevent	NW: 69 g/pc (without plugs) + W2E plug 24g; W3U plug 19g; W2 plug 13g; W2A plug 13g	
Protection class	II	GW: 89 g/pc (without plugs)	
		<b>PACKING</b>	
		Box	100 pcs/1 box

**Mechanical specification:**



**Cable specification:**

